

HES SERIES

End Suction Centrifugal Pump

Conform to DIN 24255



Product Description

The HES pump is of non-self-priming, horizontal end suction in back pull out design manufactured to DIN 24255 standard. The HES pump with closed impeller is suitable for handling clean or slightly contaminated liquid.

For A Variety of Application



- General Industries
- Water Supply
- HVAC
- Water Features and Fountain
- Fire Fighting
- Shipbuilding and Offshore Engineering



- Marine Applications
- Power Plant
- Drainage Pumping Station
- Petrochemical Sector
- Reverse Osmosis
- Car Wash



Technical Data

	1450 rpm	2900 rpm
Capacity	300 l/s	152 l/s
Head	55 m	150 m
Maximum Operating Pressure	16 Bar	16 Bar/24 Bar
Liquid Temperature	-10°C to 105°C	
Flange	BS4504 –1969 DIN 2501/PN10, PN16	

The Casting Technology

One piece cast volute casing with foot mounting. The casing is equipped with casing wear ring on suction side.

Shaft

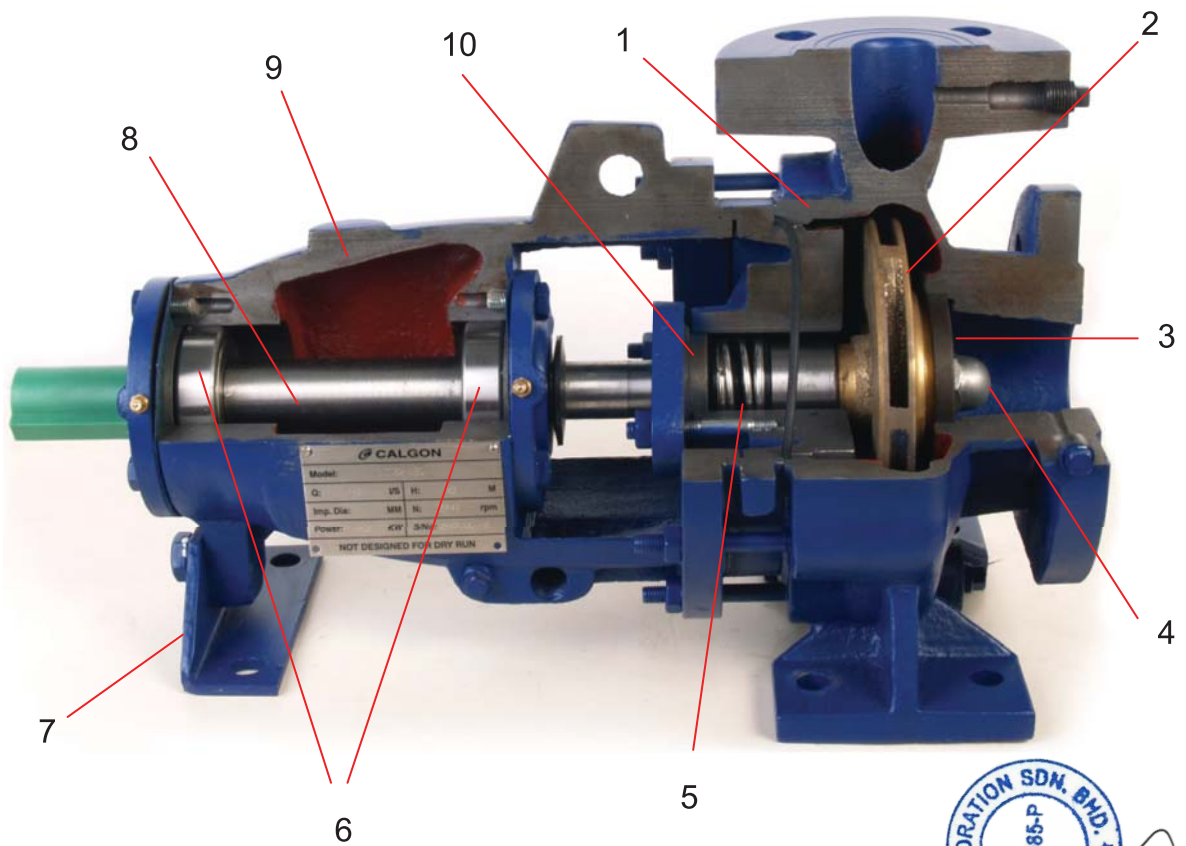
Protected by easy replaceable stainless steel shaft sleeve. Heavy duty shaft for high speed operation. Only 4 shaft size is required for the complete range and thus minimize inventory problem.

Pump Bearing

The pump is provided with grease lubricated deep groove ball bearings. Grease nipple is fitted on bearing housing for maintenance purpose.

Shaft Seal

Single mechanical seal is fitted as standard supply. The shaft seal selection is depending on the pumped liquid and application.



Part List

- | | |
|-----------------------------|----------------------|
| 1. Pump Casing | 7. Rear Support Feet |
| 2. Impeller | 8. Shaft |
| 3. Casing Wear Ring | 9. Bearing Housing |
| 4. Impeller Nut | 10. Seal Plate |
| 5. Mechanical Seal | |
| 6. Deep Groove Ball Bearing | |



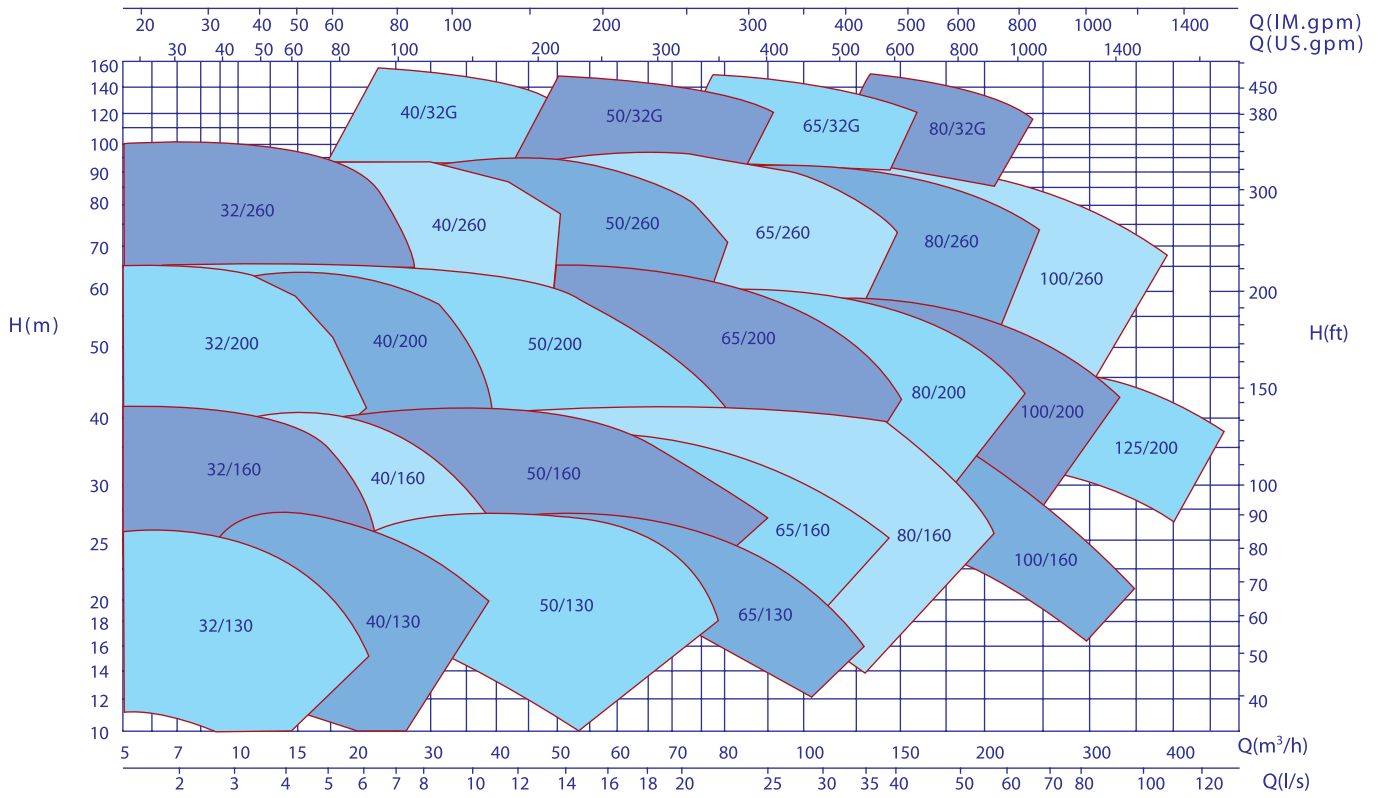
Material of Construction

Parts	Option A	Option B	Option C	Option D
Casing	Cast Iron FC20	Cast Iron FC20	Cast Iron FC20	Stainless Steel SUS 316
Impeller	Cast Iron FC20	Bronze BC6	Stainless Steel SUS 316	Stainless Steel SUS 316
Shaft	Stainless Steel SUS 420	Stainless Steel SUS 420	Stainless Steel SUS 420	Stainless Steel SUS 420
Shaft Sleeve	Stainless Steel SUS 420	Stainless Steel SUS 420	Stainless Steel SUS 420	Stainless Steel SUS 420
Casing Wear Ring	Cast Iron FC20	Bronze BC6	Cast Iron FC20	Stainless Steel SUS 316

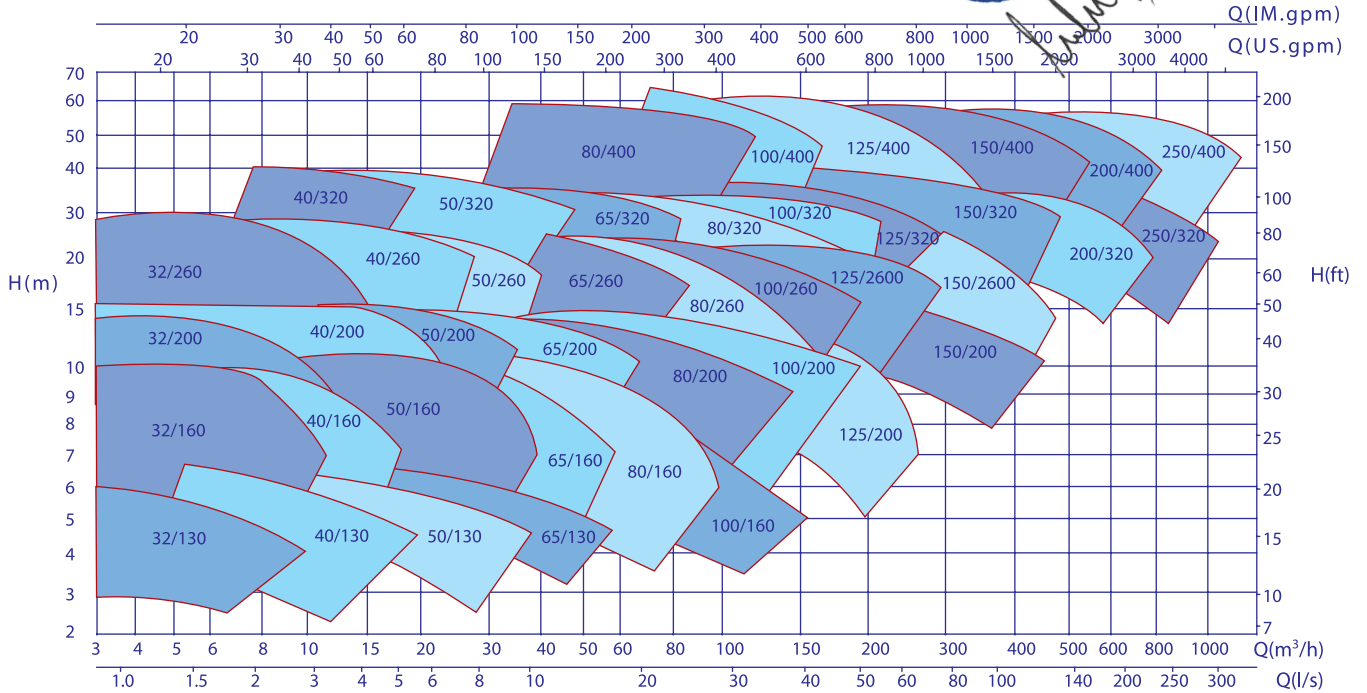
* Other material is available upon request

Selection Chart

2900rpm



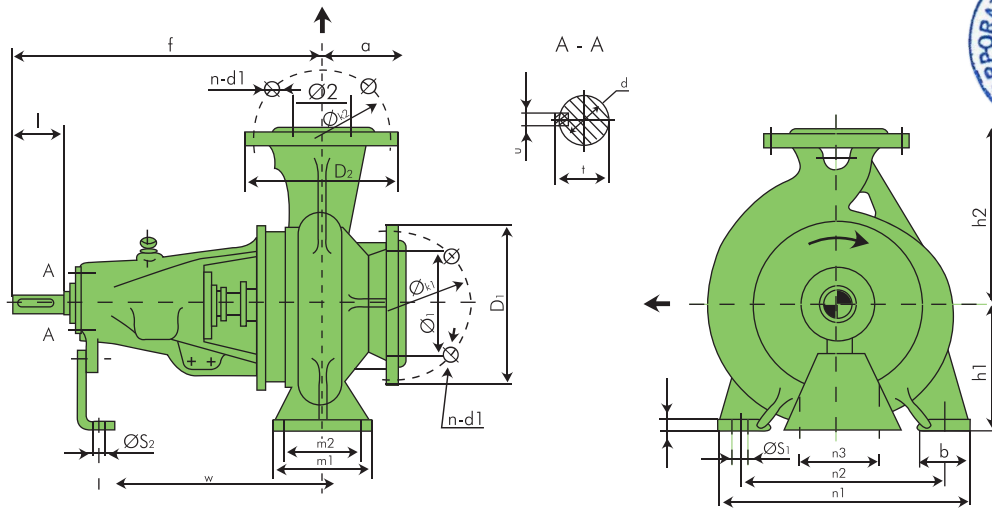
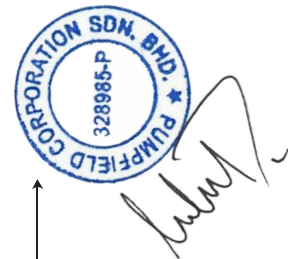
1450rpm



Maximum Working And Test Pressure



PUMP MODEL	HYDROSTATIC TEST PRESSURE			MAX. WORKING PRESSURE		
	MAXIMUM			UP TO 120 °C		
	BAR	kPa	PSI	BAR	kPa	PSI
HES 32-130	24.0	2400	348	16.0	1600	232
HES 32-160	24.0	2400	348	16.0	1600	232
HES 32-200	24.0	2400	348	16.0	1600	232
HES 32-260	24.0	2400	348	16.0	1600	232
HES 40-130	24.0	2400	348	16.0	1600	232
HES 40-160	24.0	2400	348	16.0	1600	232
HES 40-200	24.0	2400	348	16.0	1600	232
HES 40-260	24.0	2400	348	16.0	1600	232
HES 40-320	24.0	2400	348	16.0	1600	232
HES 50-130	24.0	2400	348	16.0	1600	232
HES 50-160	24.0	2400	348	16.0	1600	232
HES 50-200	24.0	2400	348	16.0	1600	232
HES 50-260	24.0	2400	348	16.0	1600	232
HES 50-320	24.0	2400	348	16.0	1600	232
HES 65-130	24.0	2400	348	16.0	1600	232
HES 65-160	24.0	2400	348	16.0	1600	232
HES 65-200	24.0	2400	348	16.0	1600	232
HES 65-260	24.0	2400	348	16.0	1600	232
HES 65-320	24.0	2400	348	16.0	1600	232
HES 80-160	24.0	2400	348	16.0	1600	232
HES 80-200	24.0	2400	348	16.0	1600	232
HES 80-260	24.0	2400	348	16.0	1600	232
HES 80-320	24.0	2400	348	16.0	1600	232
HES 80-400	17.2	1720	250	13.0	1300	189
HES 100-200	24.0	2400	348	16.0	1600	232
HES 100-260	24.0	2400	348	16.0	1600	232
HES 100-320	21.3	2130	309	16.0	1600	232
HES 100-400	17.2	1720	250	13.0	1300	189
HES 125-260	21.3	2130	309	16.0	1600	232
HES 125-320	21.3	2130	309	16.0	1600	232
HES 125-400	17.2	1720	250	13.0	1300	189
HES 150-320	16.2	1620	235	10.0	1000	145
HES 150-400	16.2	1620	235	10.0	1000	145



Ø1, Ø2,	32	40	50	65	80	100	125	150	200	250	300	350
Øk1, Øk2,	100	110	125	145	160	180	210	240	295	355	410	470
D1, D2	140	150	165	185	200	220	250	285	340	405	460	520
n - d1	4-Ø18	4-Ø18	4-Ø18	4-Ø18	8-Ø18	8-Ø18	8-Ø18	8-Ø22	12-Ø22	12-Ø26	12-Ø26	16-Ø26

Model	Shaft Size	Pump Dimension						Pump Base Dimension							Shaft Dimension						
		Ø1	Ø2	a	f	h1	h2	b	c	m1	m2	n1	n2	n3	ØS1	ØS2	w	d	l	t	u
HES 32 - 130	25	50	32	80	360	112	140	50	14	100	70	190	140	100	14	14	267	24	50	27	8
HES 32 - 160	25	50	32	80	360	132	160	50	14	100	70	240	190	100	14	14	267	24	50	27	8
HES 32 - 200	25	50	32	80	360	160	180	50	14	100	70	240	190	110	14	14	267	24	50	27	8
HES 32 - 260	25	50	32	100	360	180	225	65	14	125	95	320	250	110	14	14	267	24	50	27	8
HES 40 - 130	25	65	40	80	360	112	140	50	14	100	70	210	160	100	14	14	267	24	50	27	8
HES 40 - 160	25	65	40	80	360	132	160	50	14	100	70	240	190	100	14	14	267	24	50	27	8
HES 40 - 200	25	65	40	100	360	160	180	50	14	100	70	265	212	110	14	14	267	24	50	27	8
HES 40 - 260	25	65	40	100	360	180	225	65	14	125	95	320	250	110	14	14	267	24	50	27	8
HES 40 - 320	35	65	40	125	470	200	225	65	14	125	95	345	280	110	14	14	342	32	80	35	10
HES 40 - 32G	45	65	40	125	519	200	225	65	14	125	95	345	280	110	14	14	362	42	110	45	12
HES 50 - 130	25	65	50	100	360	132	160	50	14	100	70	240	190	100	14	14	267	24	50	27	8
HES 50 - 160	25	65	50	100	360	160	180	50	14	100	70	265	212	110	14	14	267	24	50	27	8
HES 50 - 200	25	65	50	100	360	160	200	50	14	100	70	265	212	110	14	14	267	24	50	27	8
HES 50 - 260	25	65	50	100	360	180	225	65	14	125	95	320	250	110	14	14	267	24	50	27	8
HES 50 - 320	35	65	50	125	470	225	280	65	16	125	95	345	280	110	14	14	342	32	80	35	10
HES 50 - 32G	45	65	50	125	523.5	225	280	65	14	125	95	345	280	110	14	14	364	42	110	45	12
HES 65 - 130	25	80	65	100	360	160	180	65	14	125	95	280	212	110	14	14	267	24	50	27	8
HES 65 - 160	25	80	65	100	360	160	200	65	14	125	95	280	212	110	14	14	267	24	50	27	8
HES 65 - 200	25	80	65	100	360	180	225	65	14	125	95	320	250	110	14	14	267	24	50	27	8
HES 65 - 260	35	80	65	100	470	200	250	80	16	160	120	360	280	110	17.5	14	342	32	80	35	10
HES 65 - 320	35	80	65	125	470	225	280	80	16	160	120	400	315	110	17.5	14	342	32	80	35	10
HES 65 - 32G	45	80	65	125	520	225	280	80	16	160	120	400	315	110	17.5	14	363	42	110	45	12
HES 80 - 160	25	100	80	125	360	180	225	65	14	125	95	320	250	110	14	14	267	24	50	27	8
HES 80 - 200	35	100	80	125	470	180	250	65	14	125	95	345	280	110	14	14	342	32	80	35	10
HES 80 - 260	35	100	80	125	470	200	280	80	16	160	120	400	315	110	17.5	14	342	32	80	35	10
HES 80 - 320	35	100	80	125	470	250	315	80	16	160	120	400	315	110	17.5	14	342	32	80	35	10
HES 80 - 32G	45	100	80	125	521	250	315	80	16	160	120	400	315	110	17.5	14	363	42	110	45	12
HES 80 - 400	45	100	80	125	532	280	355	85	16	160	120	400	340	110	17.5	14	368	42	110	45	12
HES 100 - 160	35	125	100	125	470	200	250	80	16	160	120	360	280	110	17.5	14	342	32	80	35	10
HES 100 - 200	35	125	100	125	470	200	280	80	16	160	120	360	280	110	17.5	14	342	32	80	35	10
HES 100 - 260	35	125	100	140	470	225	280	80	16	160	120	400	315	110	17.5	14	342	32	80	35	10
HES 100 - 320	35	125	100	140	470	250	315	80	16	160	120	400	315	110	17.5	14	342	32	80	35	10
HES 100 - 400	45	125	100	140	530	280	355	100	18	200	150	500	400	110	23	14	370	42	110	45	12
HES 125 - 200	35	150	125	140	470	250	315	80	16	160	120	400	315	110	17.5	14	342	32	80	35	10
HES 125 - 260	35	150	125	140	470	250	355	80	16	160	120	400	315	110	17.5	14	342	32	80	35	10
HES 125 - 320	45	150	125	140	530	280	355	100	18	200	150	500	400	110	23	14	370	42	110	45	12
HES 125 - 400	45	150	125	140	530	315	400	100	18	200	150	500	400	110	23	14	370	42	110	45	12
HES 150 - 200	35	200	150	160	495	280	400	100	20	200	150	550	450	110	23	14	367	32	80	35	10
HES 150 - 260	45	200	150	160	530	250	355	100	18	200	150	450	350	110	23	14	370	42	110	45	12
HES 150 - 320	45	200	150	160	530	280	400	100	18	200	150	550	450	110	23	14	370	42	110	45	12
HES 150 - 400	45	200	150	160	530	315	450	100	18	200	150	550	450	110	23	14	370	42	110	45	12
HES 200 - 320	55	250	200	180	670	315	480	120	20	220	170	600	480	110	28	14	504	48	110	51	14
HES 200 - 400	55	250	200	180	670	355	480	120	20	220	170	600	480	110	28	14	504	48	110	51	14
HES 250 - 320	55	300	250	220	691	355	520	150	22	250	200	660	510	110	28	14	525	48	110	51	14
HES 250 - 400	55	300	250	220	682	400	560	150	22	250	200	660	510	110	28	14	516	48	110	51	14